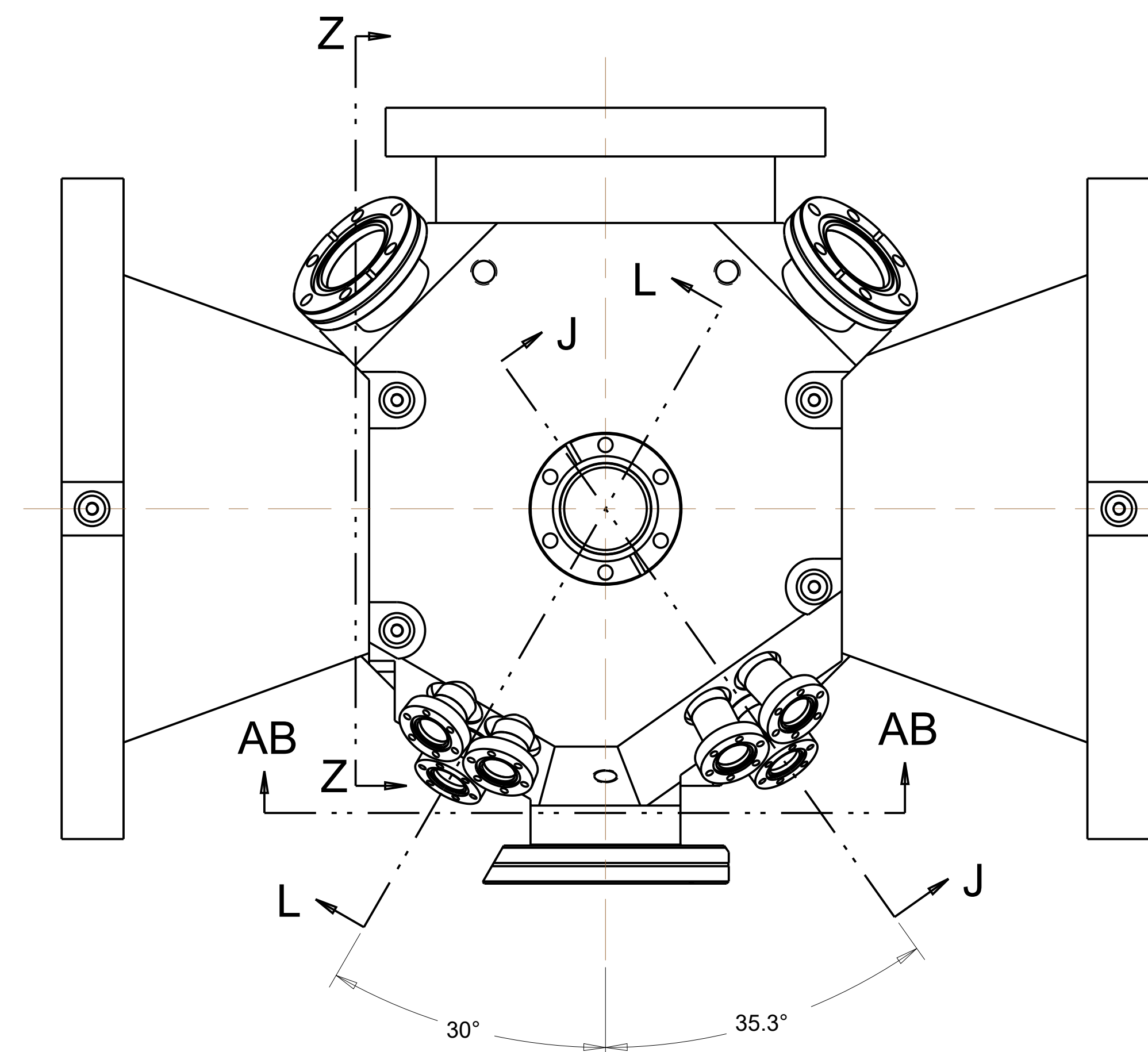
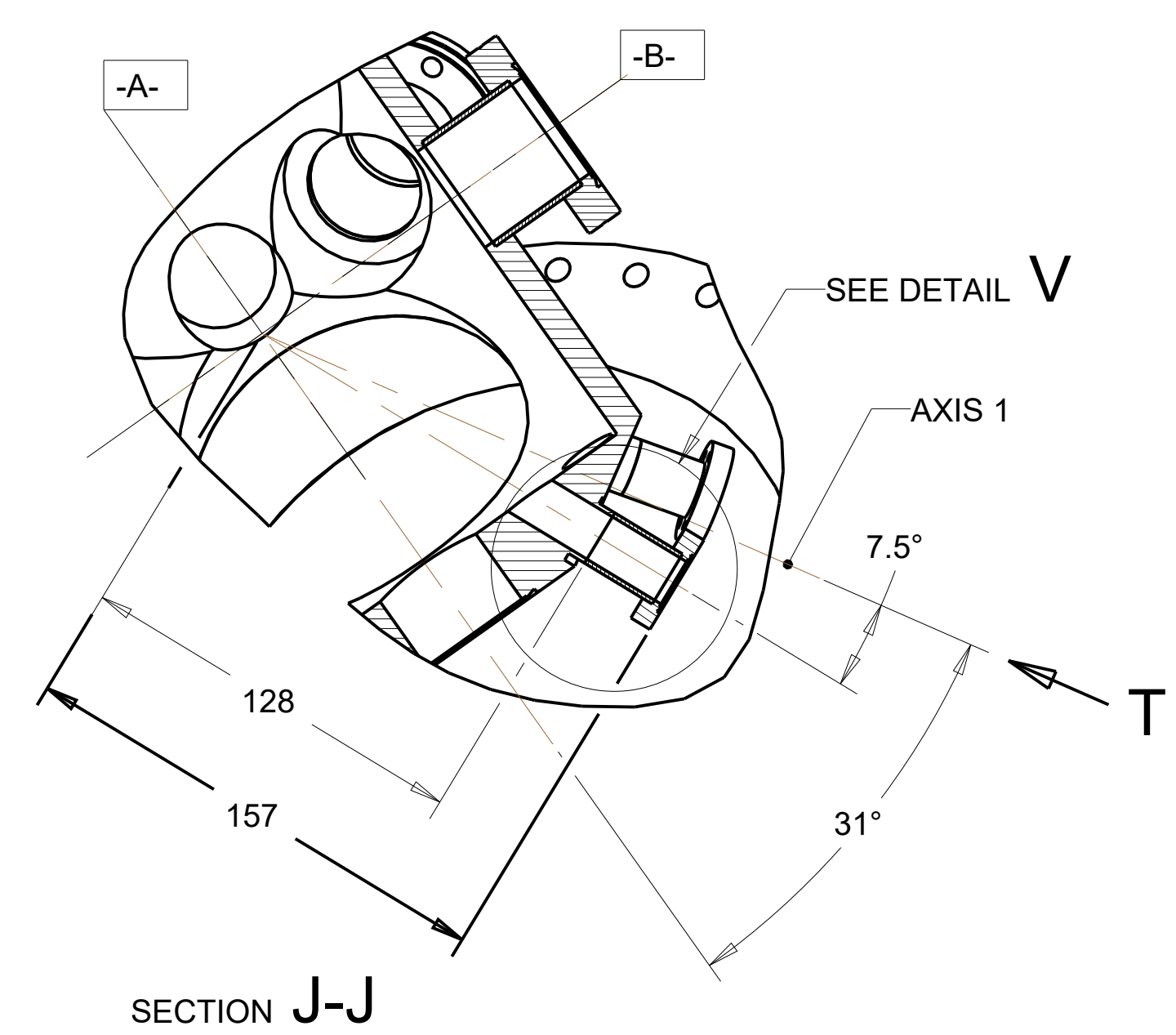


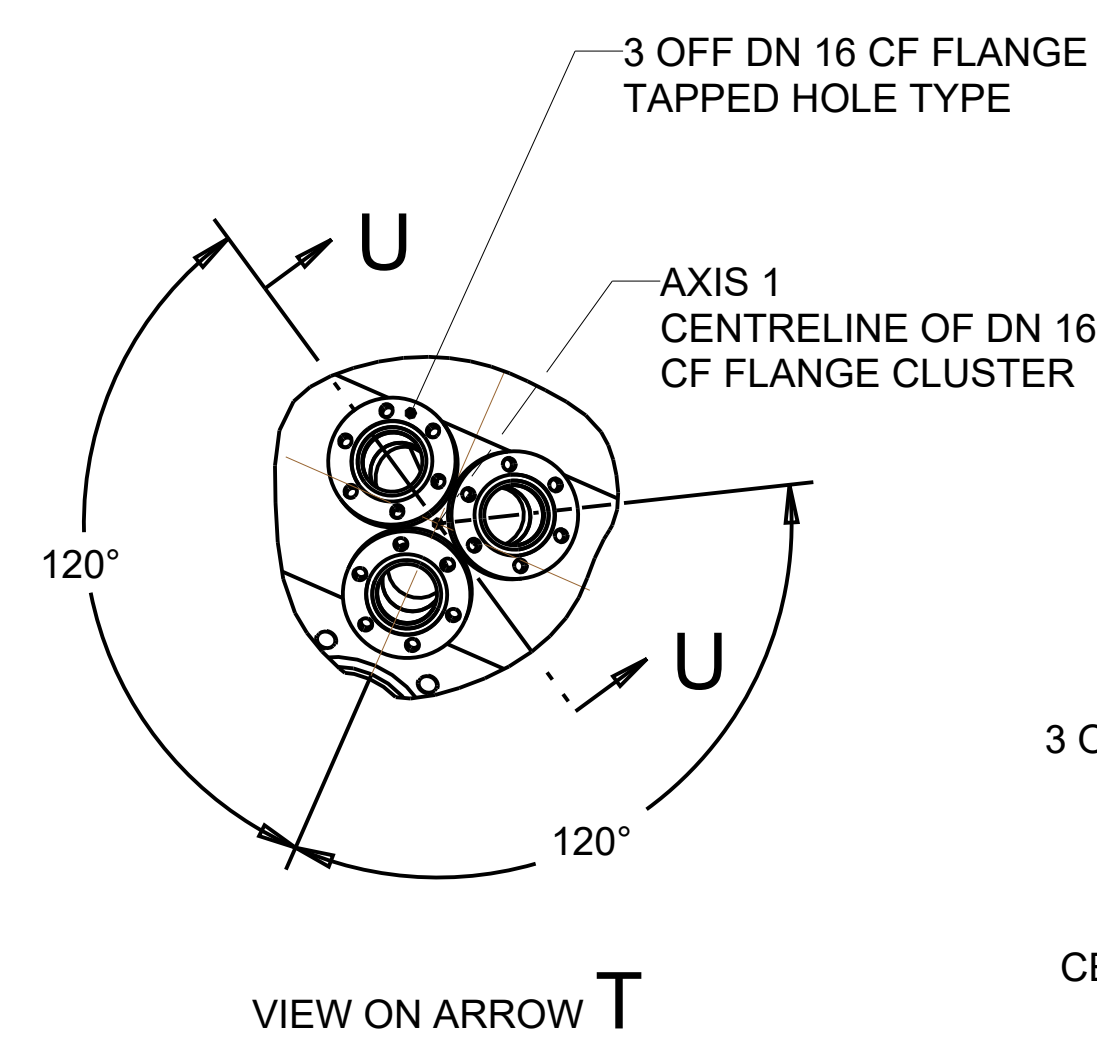
SECTION Z-Z



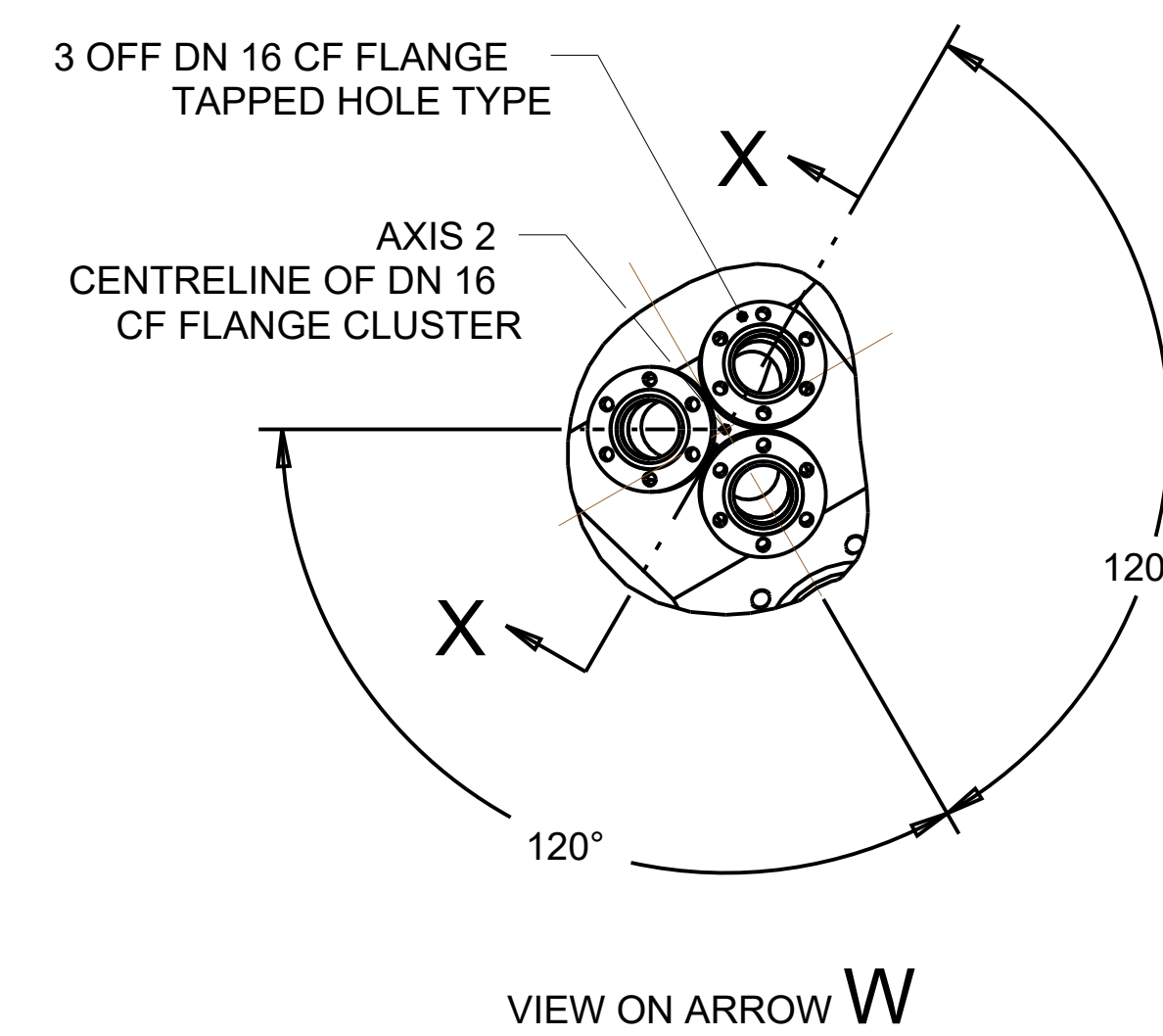
SECTION AB-AB



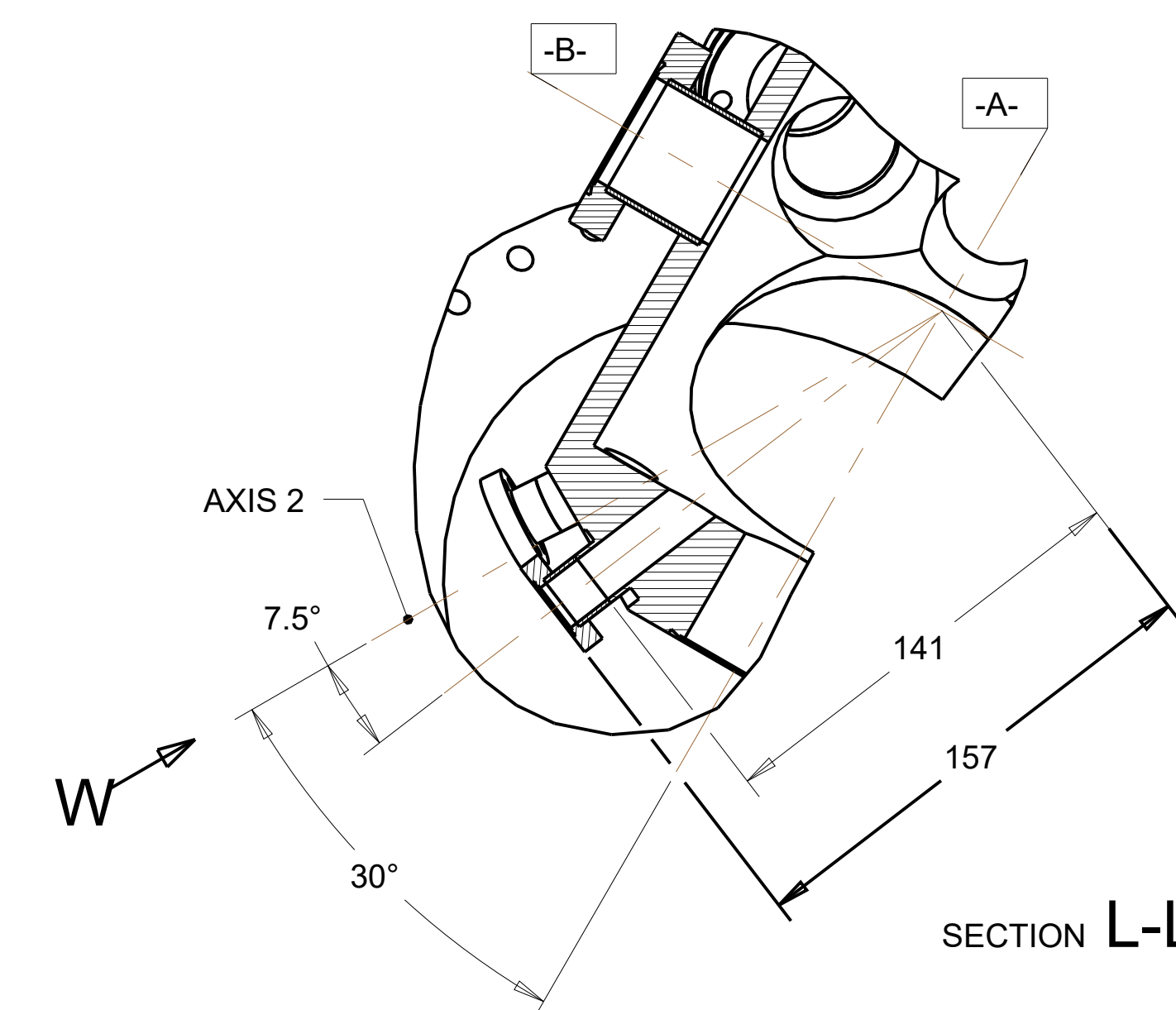
SECTION J-J



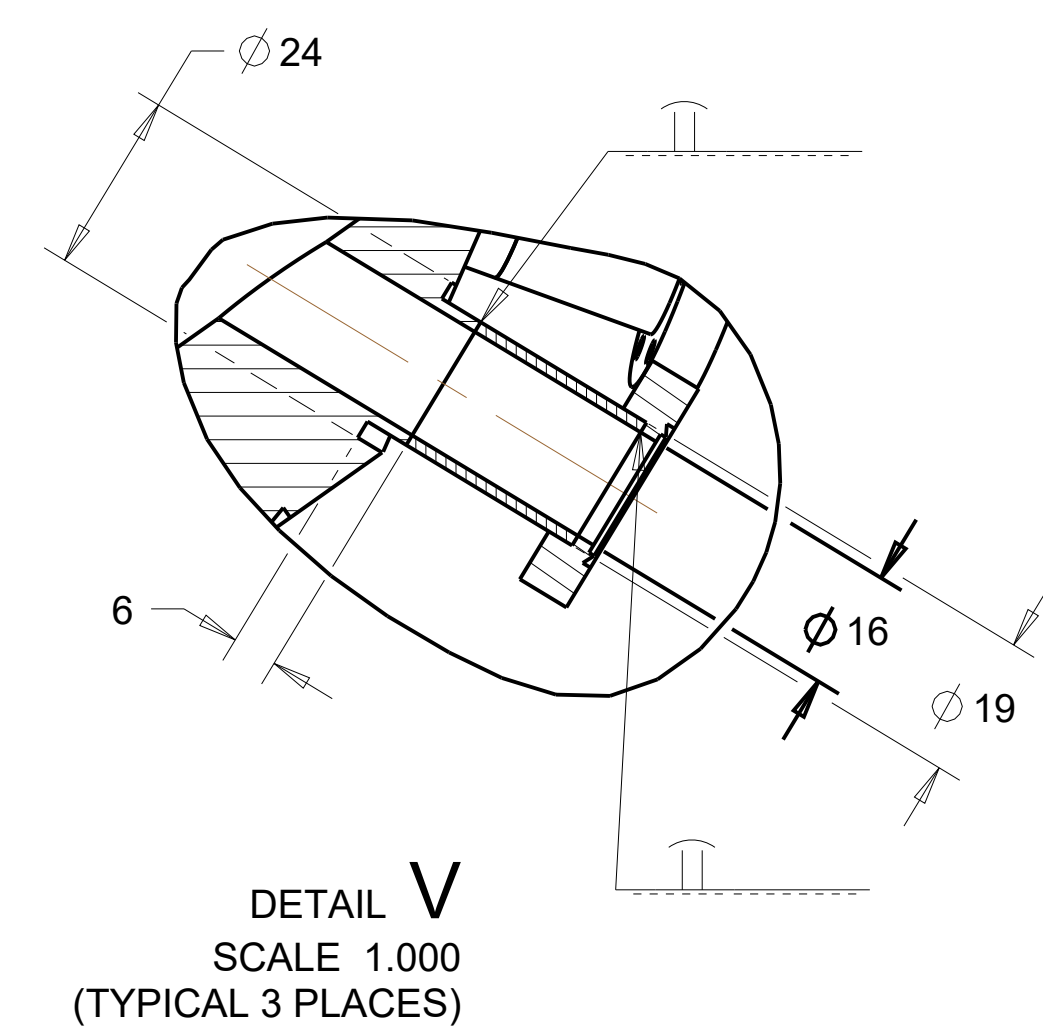
VIEW ON ARROW T



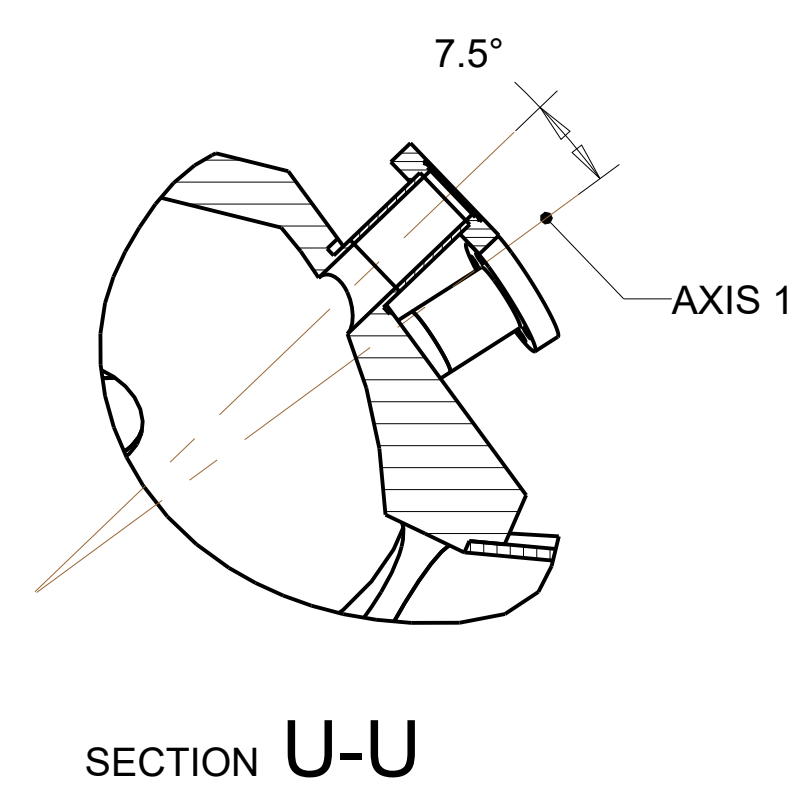
VIEW ON ARROW W



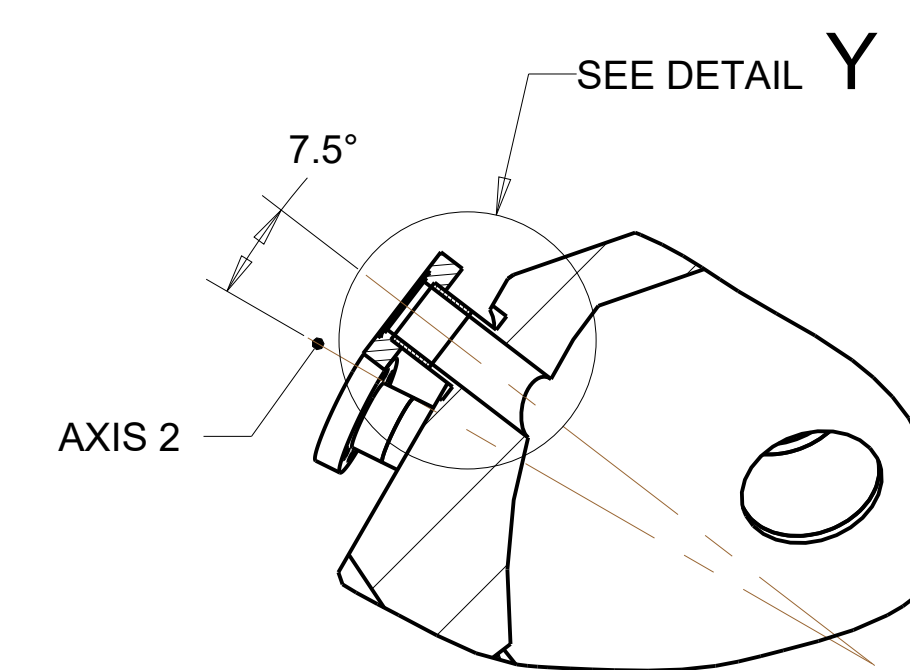
SECTION L-L



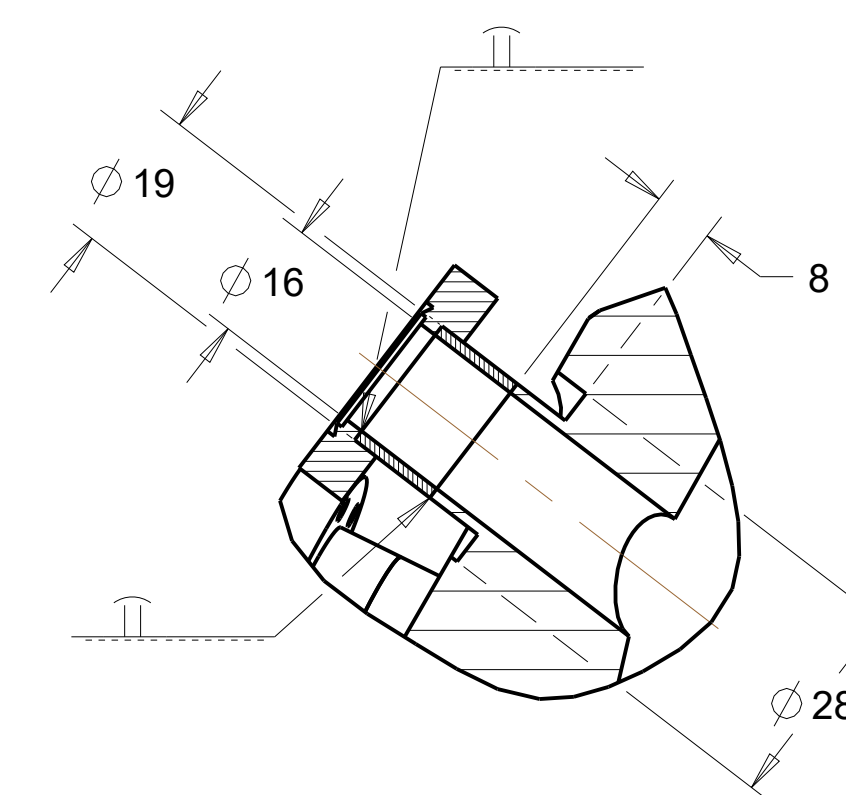
DETAIL V
SCALE 1.000
(TYPICAL 3 PLACES)



SECTION U-U



SECTION X-X



DETAIL Y
SCALE 1.000
(TYPICAL 3 PLACES)

C	23-Apr-19	D.SEDDON	SEE SHEET 1
B	13-Apr-17	D.SEDDON	NOTE 5 ALTERED
A	18-Jan-18	D.SEDDON	FIRST ISSUE
ISSUE	DATE	NAME	DESCRIPTION
MODIFICATIONS			

UNLESS OTHERWISE SPECIFIED:- ALL DIMENSIONS IN MILLIMETRES				METRIC SCREW THREADS TO BS3643 CLASS 6H/6g		DRAWING PRACTICE AND TOLERANCE INTERPRETATION TO BS308		WELDING SYMBOLS TO BS 499		TITLE	
SURFACE TEXTURE VALUES IN MICROMETRES				TOLERANCES UNLESS OTHERWISE SPECIFIED		MATERIAL		DRAWN		INTERACTION CHAMBER WELDED ASSEMBLY	
SURFACE TEXTURE TO BE				MACHINED DIMS ±		SPEC		DATE		DRAWING NUMBER	
MACHINE ALL OVER OR WHERE MARKED ✓				ANGULAR ±		TREATMENT		CHECKED		ARRGT. DRAWING	
REMOVE BURRS AND BREAK SHARP EDGES				DO NOT SCALE		FINISH		APPROVED		NP70-01-2481	
						NATURAL				SHEET 3 OF 4 SHEETS SCALE: 0.500 A0	

THE UNIVERSITY OF LIVERPOOL
DEPARTMENT OF PHYSICS

PROJECT ISOL-WP2

TITLE INTERACTION CHAMBER WELDED ASSEMBLY

DRAWING NUMBER NP70-01-2481

ARRGT. DRAWING NP70-01-2480

SHEET 3 OF 4 SHEETS SCALE: 0.500 A0